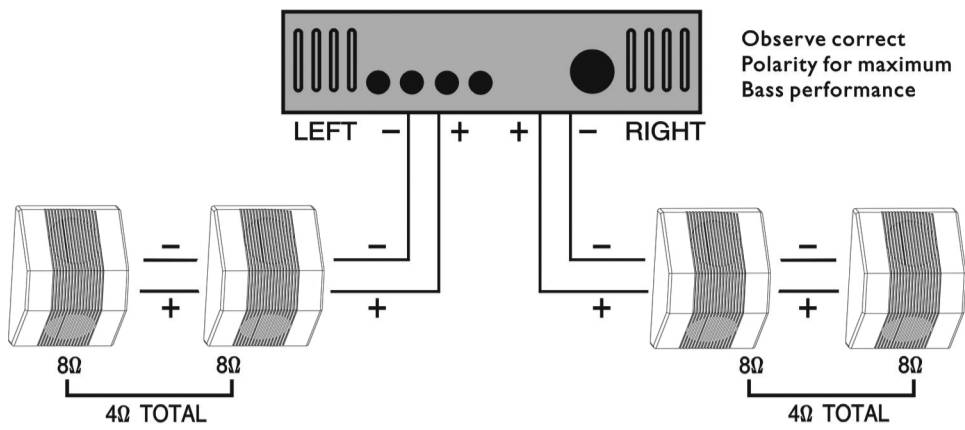


2-CHANNEL AMPLIFIER WITH 4Ω OUTPUT

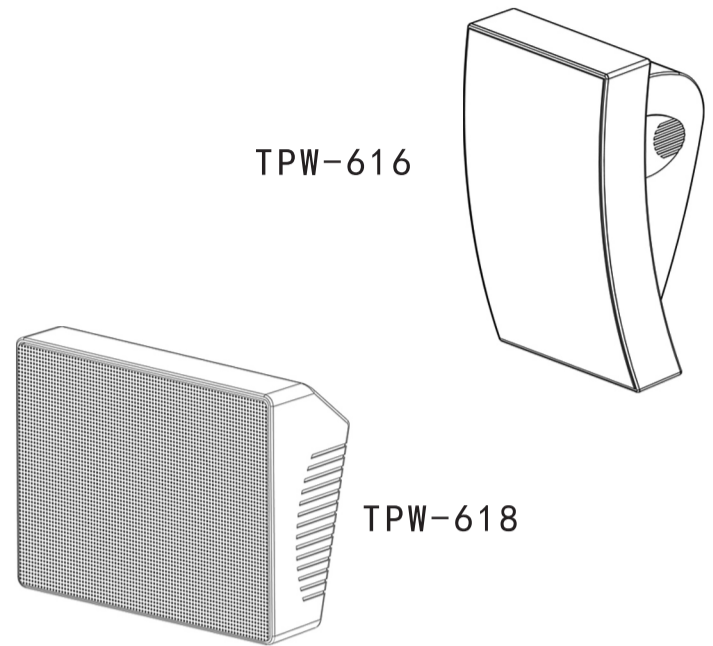


2 SPEAKERS PER CHANNEL CONNECTED IN PARALLEL

TECHNICAL SPECIFICATIONS

Model	TPW-616	TPW-618
Frequency Resp(-10dB)(Hz)	100Hz-20Hz	100Hz-20Hz
Sensitivity(1W/1M)(dB)	90	90
Impedance(ohms)	8	8
RMS Power(watts)	10	20
Speaker unit	5.25" (135mm)	5.25" (135mm)
Transformer taps at 100V	10W-5W/100V	20W-10W/100V
Product Dimensions(mm)	265X115X175	265X105X205

User Manual



WALL MOUNTED SPEAKER

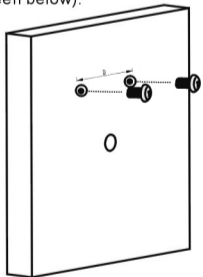
Introduction

Thank you for buying on-ceiling speaker. Please read and have a thorough understanding of the entire manual before installation and use. Keep the manual for maintenance.

INSTALLATION STEPS

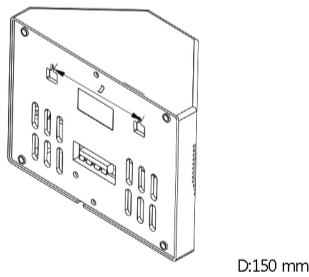
Step1:

The installation position of the speaker is located at the point (the center of the foot is seen below).



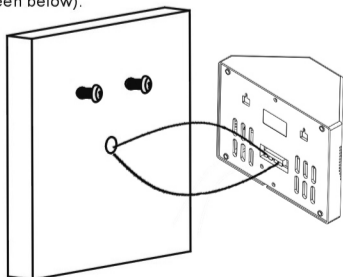
Step2:

Screw is fitted to the specified position.



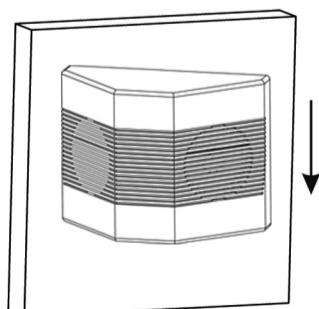
Step3:

Connect the speaker cable to the speaker's terminals (see below).



Step4:

Put the speaker on the screw and pay attention.



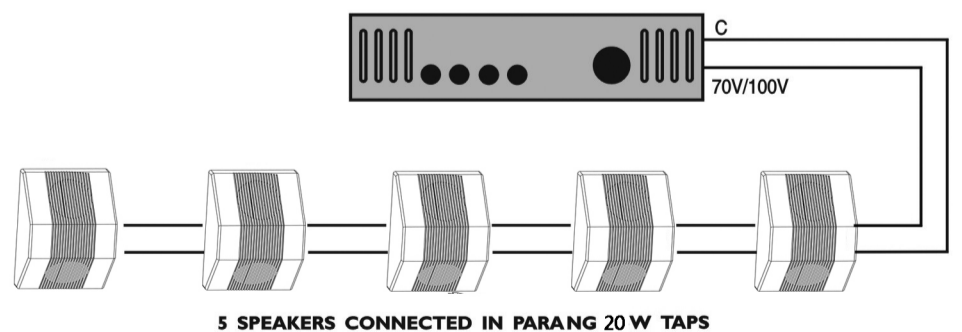
Connection

Use wire on the back of the speaker in the output tab of the amplifier (or amplifiers of radio). The speaker wire is on one side red and on the other one black. Connect to the red side of the amplifier and speakers (+) tab. Connect one end of the black side (-) in the other tab. Connect each speaker to make sure that is not (+,-) inverted polarity. If the polarity of the speakers is reversed, the sound will be unnatural and will play without bass.

UNDERPOWERING VS. OVERPOWERING

- Most speaker damage is caused by amplifiers with too little power (wattage).
- An overdriven amplifier clips the waveforms and sends distortion to the speakers.
- Clipping is usually audible; it may vary from a harsh sound to a fuzzy or unclear sound.
- If you hear this condition at loud volume levels, turn down the volume until the distortion is no longer present.
- Damage caused by operating the speakers at distorted volume levels is not covered by the warranty.

EXAMPLE OF 70V/100V SYSTEM CONFIGURATION



5 SPEAKERS CONNECTED IN PARANG 20 W TAPS

**NOTE:** The total number of speakers multiplied by the tap value cannot exceed the output power (in watts) of the 70V /100V amplifier. The above example shows 5 total speakers. Using the 20 W taps, you will need an amplifier with at least (5) x (20)=100W. A good rule of thumb is to select an amplifier with 20% greater power; in this case, an amplifier that delivers about 125W.