

# ST-5000

## Gooseneck Microphone Combo

Thanks for choosing JTS ST-5000 Gooseneck Microphone. In order to obtain the best efficiency, you are recommended to read this manual before applying.

The ST-5000 is the easiest gooseneck mic can be found. Designed with Push ON/Push Off switch and XLR male output it meets basic requirements for all installed applications.

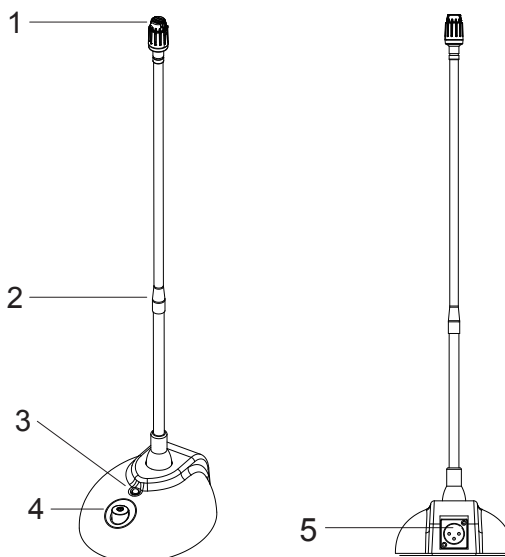


### FEATURES

- ❖ Supercardioid pick up pattern
- ❖ Push ON/OFF
- ❖ LED indicator
- ❖ Balanced XLR male output

### PARTS IDENTIFICATION

1. Capsule
2. Gooseneck
3. LED Indicator
4. ON / OFF Switch
5. 3P XLR-Male Connector



## SPECIFICATION

**TYPE:** Back Electret Condenser

**FREQUENCY RESPONSE:** 80~18,000Hz

**POLAR PATTERN:** Supercardioid

**OUTPUT LEVEL(at 1,000 Hz):**  $-60 \pm 3 \text{ dB}^* (1\text{mV})^* 0\text{dB}=1\text{V} / \mu\text{bar}$

**IMPEDANCE:**  $220\Omega$

**MAX. SPL FOR 1% THD:** 125dB

**POWER SUPPLY:** 12-48 VDC Phantom power

**CURRENT CONSUMPTION:**  $\leq 5.8\text{mA}$

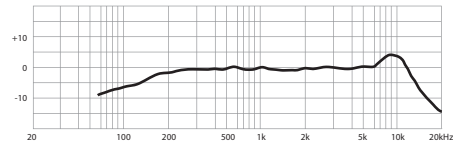
**OUTPUT CONNECTOR:** XLR-M type

**SWITCH :** Push ON/OFF

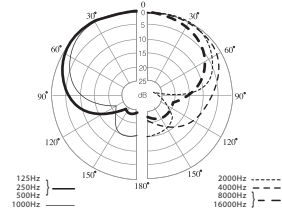
**GOOSENECK LENGTH:** 368mm

**BASE DIMENSIONS:** 96mm(W)\*46mm(H)\*113mm(D)

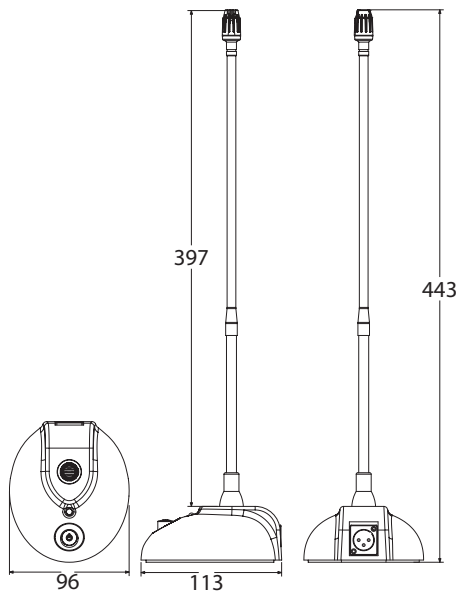
**NET WEIGHT:** 541 grams



Frequency response



## DIMENSIONS



[www.jts.com.tw](http://www.jts.com.tw)