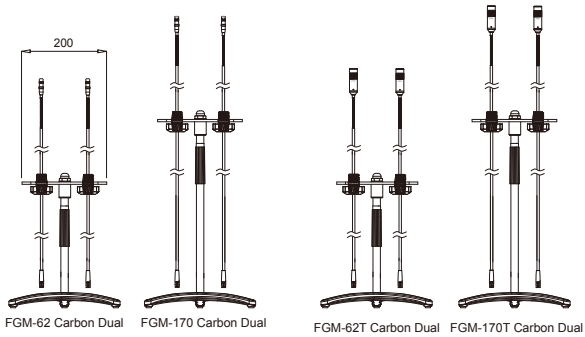
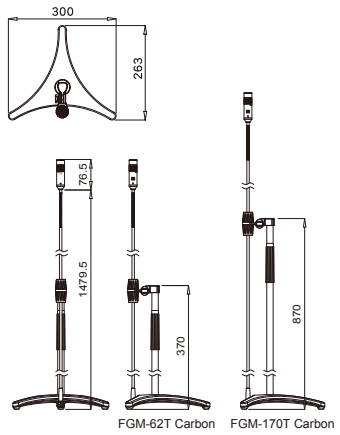
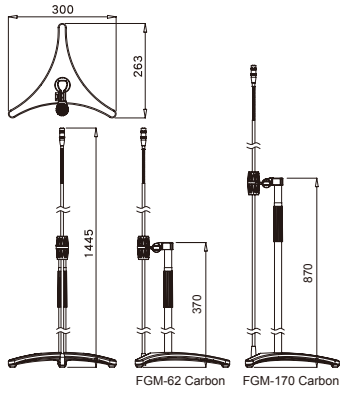


Dimensions



FGM-62 Carbon / FGM-170 Carbon      FGM-62T Carbon / FGM-170T Carbon  
FGM-62 Carbon Dual / FGM-170 Carbon Dual      FGM-62T Carbon Dual / FGM-170T Carbon Dual

Floor Stand Mic with Carbon Boom

## FGM-62 Carbon / FGM-170 Carbon FGM-62 Carbon Dual / FGM-170 Carbon Dual

Floor Stand Mic with Carbon Boom

Thanks for choosing JTS FGM-62 Carbon/FGM-170 Carbon floor stand mic with carbon boom. In order to obtain the best efficiency, you are recommended to read this manual before applying.

### Features

This product has the same mics as GML series with omni-directional (GML-O), cardioid (GML-C) and super cardioid (GML-S) capsule module included. The very light carbon boom makes remote miking an easy job. A cable with mini XLR and XLR on each end is supplied. -10 dB pad and Low cut functions are provided.

Application:

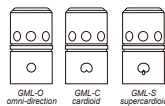
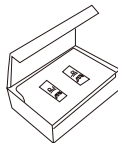
- \* Choirs
- \* Presentation
- \* Also as normal mic stand

FGM-170 Carbon: With mic stand height 170 cm the rest is identical to FGM-62.



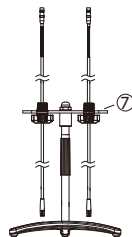
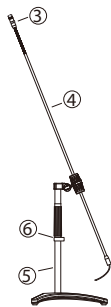
### Accessories

- ① Windscreen
- ② Interchangeable Capsules in Wooden Box (Cardioid and Omnidirection)



### Parts Identification

- ③ Interchangeable Capsule
- ④ Carbon Boom
- ⑤ Floor Stand and Base
- ⑥ Cable Guide
- ⑦ FGM-Dual Adapter



## FGM-62T Carbon / FGM-170T Carbon FGM-62T Carbon Dual / FGM-170T Carbon Dual

Floor Stand Mic with Carbon Boom

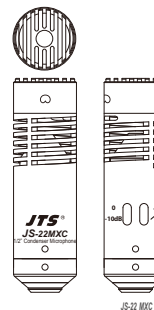
The FGM-T Series bring studio quality microphone to live stage.

### Features

Based on the successful experience of JS-1 series JS-22MXC is designed for instrument miking from strings to percussions. The JS-22MXC is built on a solid brass with accurate processing. The 1/2" golden plated diaphragm is manually assembled by JTS craftsman. The precise designed circuit with low cut and pad feature provides flat response. This microphone royally reproduces any kinds of instruments and vocals.

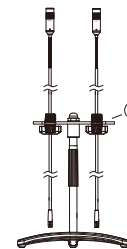
Application:

- \* Choirs
- \* Presentation
- \* Also as normal mic stand



### Parts Identification

- ⑧ 1/2" Studio Condenser Microphone
- ⑨ Carbon Boom
- ⑩ Floor Stand and Base
- ⑪ Cable Guide
- ⑫ FGM-Dual Adapter



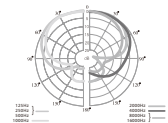
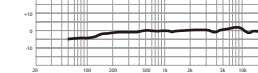
### Specification

Model Number.....	FGM-62 Carbon / FGM-170 Carbon FGM-62 Carbon Dual / FGM-170 Carbon Dual
Type.....	Back Electret Condenser
Frequency Response...	50~18,000 Hz
Polar Pattern.....	Cardioid, Supercardioid, Omnidirectional
Sensitivity.....	-56±3dB (15.8mV) 0dB=1V/Pa, 1kHz
Impedance.....	200Ω
Max. SPL For 1% T.H.D.	125 dB
Connector.....	3P mini XLR(M)
Cable Connector.....	Input: 3P mini-XLR(F) Output: 3P XLR (Power Module)
Power Supply.....	9-52VDC phantom power (LED standard Operation voltage 48V)
Cable Length.....	8m

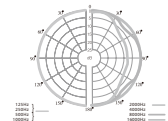
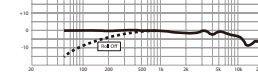
Model Number.....	FGM-62T Carbon / FGM-170T Carbon FGM-62T Carbon Dual / FGM-170T Carbon Dual
Type.....	1/2" golden plated true condenser capsule
Frequency Response.....	20~20,000 Hz
Sensitivity.....	-36±3 dB* (15.8mV) 0dB=1V/Pa, 1kHz
Directional Pattern.....	Cardioid
Attenuation Switch.....	-10dB
Low Frequency Roll-off	80Hz
Impedance.....	100Ω
Max. SPL For 1% T.H.D.	140 dB
Signal To Noise Ratio.....	78dB
Power Supply.....	36~52VDC phantom power
Current consumption....	≤3mA
Output.....	3-pin XLR

### Polar Pattern

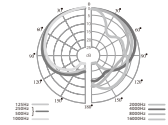
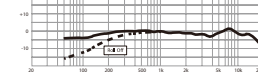
JS-22MXC 1/2" Gooseneck Microphone



GML-O Installation Microphone Capsule



GML-C Installation Microphone Capsule



GML-S Installation Microphone Capsule

