



User's Manual

altea passive series



Antes de utilizar el equipo, lea la sección "Precauciones de seguridad" de este manual. Conserve este manual para futuras consultas.

Before operating the device, please read the "Safety precautions" section of this manual. Retain this manual for future reference.

CONTENTS

SAFETY PRECAUTIONS	3
WARRANTY	4
DECLARATION OF CONFORMITY	5
INTRODUCTION	6
CONFIGURATIONS	7 - 8
<u>2x altea 412 (altea 415) + 1x vantec 18</u>	
<u>2x altea 712 (altea 715) + 2x vantec 18</u>	
LINE DRAWINGS	9
SPECIFICATIONS	10
RIGGING SYSTEM	11 - 12



Cajas acústicas pasivas / Passive loudspeaker enclosures

Conserve y lea todas estas instrucciones.

Siga todas las advertencias.

El signo de exclamación dentro de un triángulo indica la existencia de componentes internos cuyo reemplazo puede afectar a la seguridad.



Keep these instructions.

Heed all warnings. Follow all instructions.

The exclamation point inside an equilateral triangle indicates the existence of internal components whose substitution may affect safety.

El doble cuadrado indica equipo de Clase II.



The double square indicates Class II device.

Las especificaciones se encuentran en la etiqueta de la parte posterior del producto.

The specifications can be found on the rear label of the product.

El colgado del equipo sólo debe realizarse utilizando los herrajes de colgado recomendados y por personal cualificado. No cuelgue la caja de las asas.

The appliance should be flown only from the rigging points and by qualified personnel. Do not suspend the box from the handles.

No exponga este equipo a la lluvia o humedad. No exponga el equipo a salpicaduras ni coloque sobre él objetos que contengan líquidos, tales como vasos y botellas. Equipo IP-20.

Do not expose this device to rain or moisture. Do not place any objects containing liquids, such as bottles or glasses, on the top of the unit. Do not splash liquids on the unit. IP-20 equipment.

Este símbolo indica que el presente producto no puede ser tratado como residuo doméstico normal, sino que debe entregarse en el correspondiente punto de recogida de equipos eléctricos y electrónicos.



This symbol on the product indicates that this product should not be treated as household waste. Instead it shall be handed over to the applicable collection point for the recycling of electrical and electronic equipment.

Equipo diseñado para funcionar entre -25°C y 45°C. La humedad relativa máxima del 95%.

Working temperature ranges from -25°C to 45°C. The maximum relative humidity of 95%.

El cableado exterior conectado al equipo requiere de su instalación por una persona instruida o el uso de cables flexibles ya preparados.

The outer wiring connected to the device requires installation by an instructed person or the use of a flexible cable already prepared.

El equipo cuenta con dos conectores de entrada en paralelo para facilitar la conexión de varias cajas en paralelo.

Note that the two Speakon input connectors are wired in parallel to provide easy parallel connection of several enclosures.

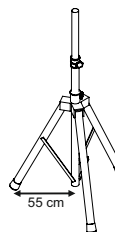
No emplace altavoces en proximidad a equipos sensibles a campos magnéticos, tales como monitores de televisión o material magnético de almacenamiento de datos.



Do not place loudspeakers in proximity to devices sensitive to magnetic fields such as television monitors or data storage magnetic material.

Para las cajas con vaso para trípode, la altura máxima de seguridad desde el suelo a la base de la caja montada sobre trípode modelo TRD-2, con pies a 55 cm del eje del trípode, es:

altea 412/712----->115 cm
altea 415/715----->105 cm



For enclosures with tripod socket, the maximum safety height from floor to bottom of enclosure when mounting on a TRD-2 tripod, with legs spread 55cm from the central pole, is:

altea 412/712----->115 cm
altea 415/715----->105 cm

No existen partes ajustables por el usuario en el interior de este equipo. Cualquier operación de mantenimiento o reparación debe ser realizada por personal cualificado. Es necesario el servicio técnico cuando el aparato se haya dañado de alguna forma, tal como que haya caído líquido o algún objeto en el interior del aparato, haya sido expuesto a lluvia o humedad, no funcione correctamente o haya recibido un golpe.

No user serviceable parts inside. Refer all servicing to qualified service personnel. Servicing is required when the apparatus has been damaged in any way, such as power-supply cord or plug is damaged, liquid has been spilled or objects have fallen into the apparatus, the apparatus has been exposed to rain or moisture, does not operate normally or has been dropped.

Limpie con un paño seco. No use limpiadores con disolventes.

Clean only with a dry cloth. Do not use any solvent based cleaners.

GARANTÍA

Todos nuestros productos están garantizados por un periodo de 24 meses desde la fecha de compra.

Las garantías sólo serán válidas si son por un defecto de fabricación y en ningún caso por un uso incorrecto del producto.

Las reparaciones en garantía pueden ser realizadas, exclusivamente, por el fabricante o el servicio de asistencia técnica autorizado.

Otros cargos como portes y seguros, son a cargo del comprador en todos los casos.

Para solicitar reparación en garantía es imprescindible que el producto no haya sido previamente manipulado e incluir una fotocopia de la factura de compra.

WARRANTY

All D.A.S. products are warrantied against any manufacturing defect for a period of 2 years from date of purchase.

The warranty excludes damage from incorrect use of the product.

All warranty repairs must be exclusively undertaken by the factory or any of its authorised service centers.

To claim a warranty repair, do not open or intend to repair the product.

Return the damaged unit, at shippers risk and freight prepaid, to the nearest service center with a copy of the purchase invoice.



DECLARACIÓN DE CONFORMIDAD DECLARATION OF CONFORMITY

D.A.S. Audio, S.A.

C/ Islas Baleares, 24 - 46988 - Pol. Fuente del Jarro - Valencia. España
(Spain).

Declara que la *serie altea passive*:

Declares that *altea passive series*:

Cumple con los objetivos esenciales de las Directivas:

Abide by essential objectives relating Directives:

- Directiva de Baja Tensión (Low Voltage Directive) 2014/35/UE
- Directiva RoHS 2011/65/UE
- Directiva RAEE (WEEE) 2012/19/UE

Y es conforme a las siguientes Normas Armonizadas Europeas:

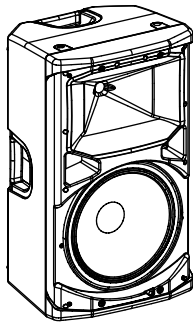
In accordance with Harmonized European Norms:

- EN 60065:2014.- Audio, video and similar electronic apparatus. Safety requirements.
- EN 50581:2012.- Technical documentation for the assessment of electrical and electronic products with respect to the restriction of hazardous substances.

INTRODUCTION

The *altea series* inherits the exceptional sound quality and rugged build that have made DAS professional systems an international sound reinforcement standard. Designed from "real world" experience, they offer users outstanding performance, absolute reliability, and unparalleled convenience. Whether it is in a high-profile venue or on the stage of a major event, the *altea series* will provide the power and definition needed to make your performance a success.

Features



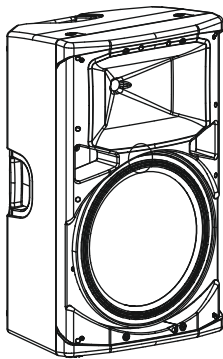
altea 412 / 712

- Two-way full-range system
- 12" bass loudspeaker
- Compression driver with high tech polymer diaphragm
- Symmetrical enclosure design for stage monitor use
- 4 handles
- Built-in rigging points (eyebolt based)
- Stand mountable; 35mm tripod socket

The *altea 412* is a 2-way passive full-range loudspeaker (300 W_{rms}) that utilizes a 12" low frequency transducer and a 1" exit compression driver. The multi-angle cabinet is constructed of polypropylene. Four handles and a 35mm tripod socket are provided.

The *altea 712* is a 2-way passive full-range loudspeaker (500 W_{rms}) that utilizes a 12" low frequency transducer and a 1" exit compression driver. The multi-angle cabinet is constructed of polypropylene. Four handles and a 35mm tripod socket are provided.

altea 415 / 715



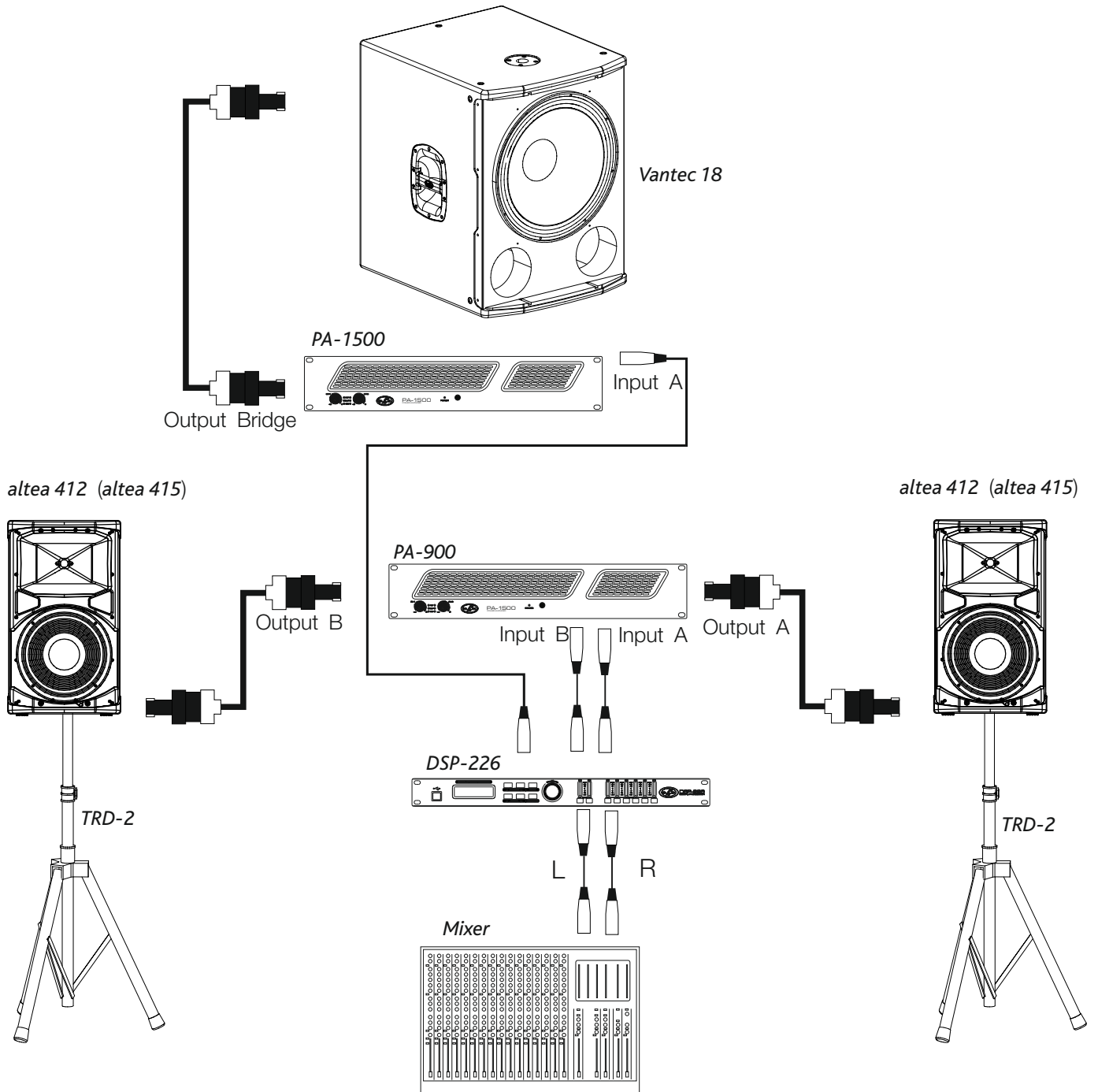
- Two-way full-range system
- 15" bass loudspeaker
- Compression driver with high tech polymer diaphragm
- Symmetrical enclosure design for stage monitor use
- 4 handles
- Built-in rigging points (eyebolt based)
- Stand mountable; 35mm tripod socket

The *altea 415* is a 2-way passive full-range loudspeaker (350 W_{rms}) that utilizes a 15" low frequency transducer and a 1" exit compression driver. The multi-angle cabinet is constructed of polypropylene. Four handles and a 35mm tripod socket are provided.

The *altea 715* is a 2-way passive full-range loudspeaker (500 W_{rms}) that utilizes a 15" low frequency transducer and a 1" exit compression driver. The multi-angle cabinet is constructed of polypropylene. Four handles and a 35mm tripod socket are provided.

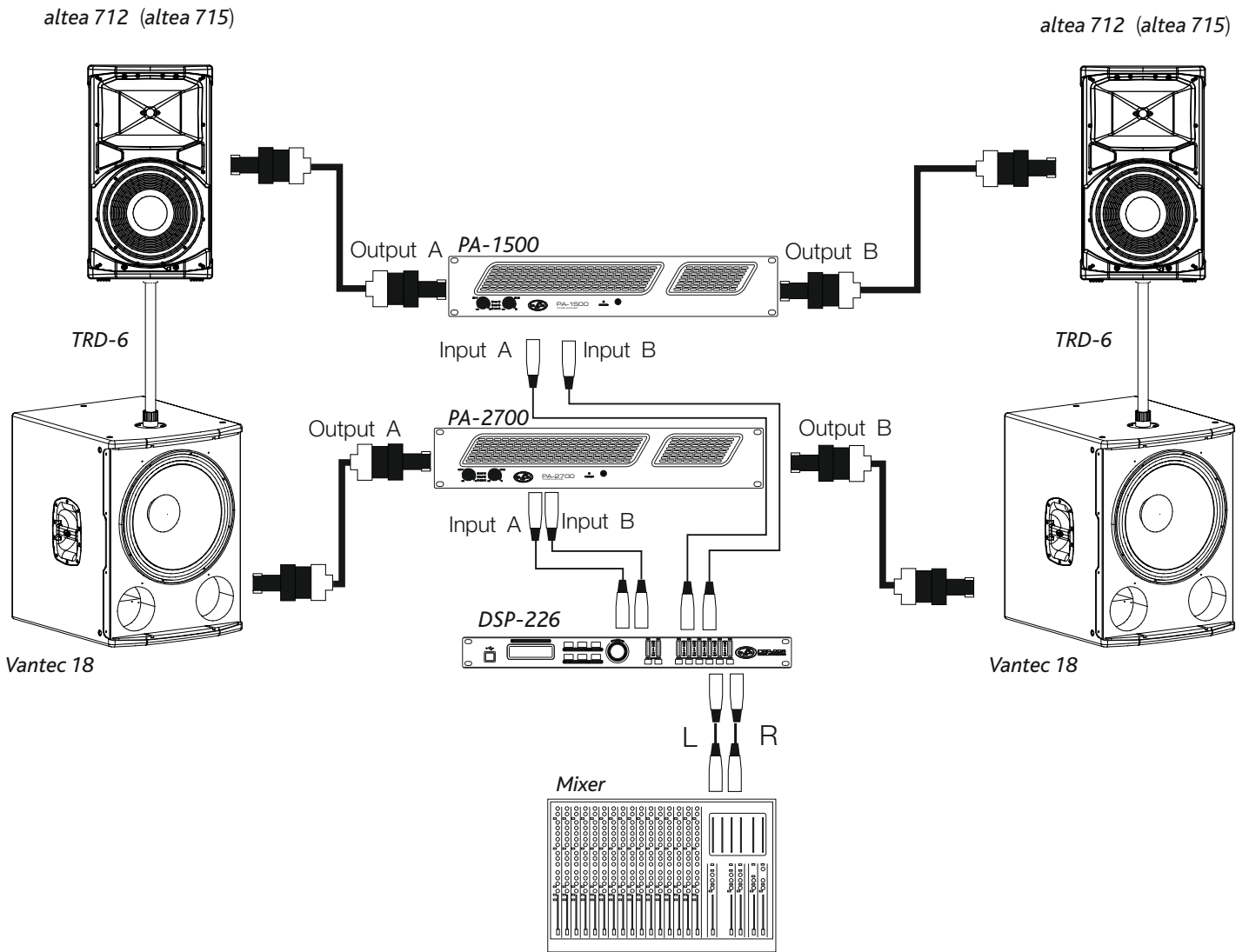
CONFIGURATIONS

Configuration example with two satellites *altea 400* and one sub.



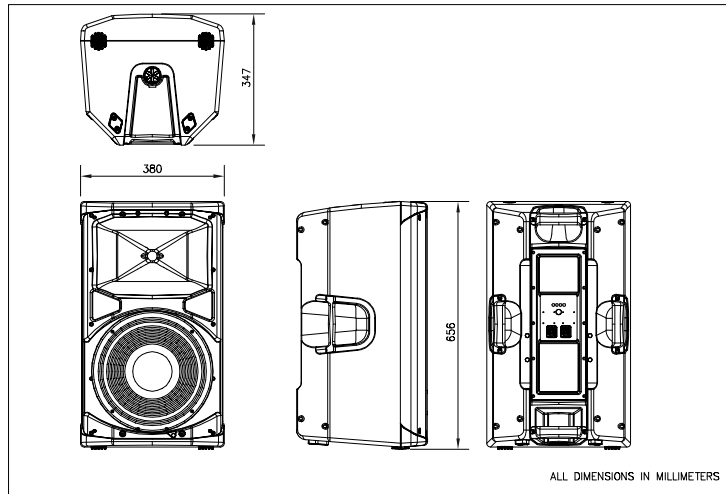
CONFIGURATIONS (cont'd)

Configuration example with two satellites *altea 700* and two sub.

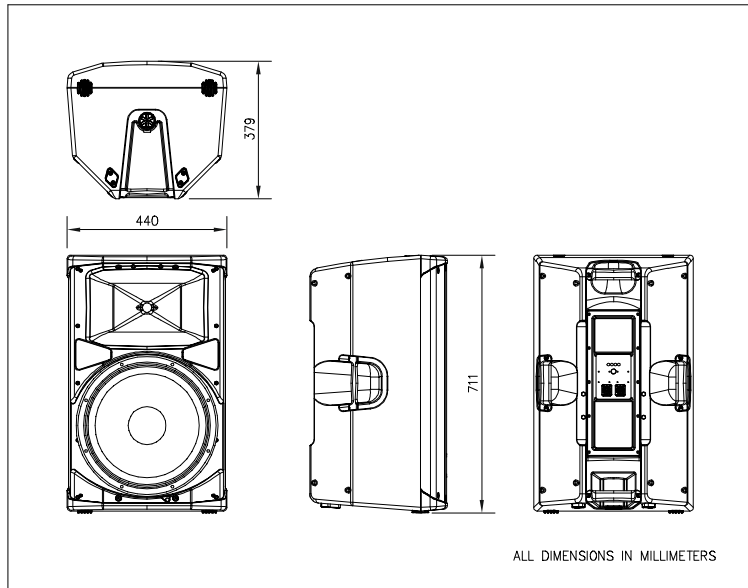


LINE DRAWINGS

altea 412 / 712



altea 415 / 715



SPECIFICATIONS

Model	<i>altea 412</i>	<i>altea 415</i>	<i>altea 712</i>	<i>altea 715</i>
Peak Power Handling (-10 dB) RMS Power Handling ⁽¹⁾	1200 W 300 W	1400 W 350 W	2000 W 500 W	2000 W 500 W
Frequency Range (-10 dB) HF Horn Coverage Angles(-6dB) On-axis Sensitivity 1 W / 1m	68 Hz - 20 kHz 90° x 60° 96 dB SPL	63 Hz - 20 kHz 90° x 60° 96 dB SPL	65 Hz - 20 kHz 90° x 60° 98 dB SPL	60 Hz - 20 kHz 90° x 60° 99 dB SPL
Rated Maximum Peak SPL Nominal Impedance	127 dB 8 ohms	128 dB 8 ohms	131 dB 8 ohms	132 dB 8 ohms
Transducers/Replacement Parts	LF: 12Mi / GM 12Mi HF: M-32 / GM M-32	LF: 15Mi / GM 15Mi HF: M-32 / GM M-32	LF: 12F / GM 12F HF: M-28 / M-28	LF: 15FV / GM 15FV HF: M-28 / M-28
Enclosure Material Color/Finish Connectors	Polypropylene Black / Textured 2x NL4 Speakon	Polypropylene Black / Textured 2x NL4 Speakon	Polypropylene Black / Textured 2x NL4 Speakon	Polypropylene Black / Textured 2x NL4 Speakon
Dimensions (H x W x D)	650 x 380 x 346 mm 25.59 x 14.96 x 13.82 in	710 x 440 x 380 mm 28 x 17.3 x 15 in	650 x 380 x 346 mm 25.59 x 14.96 x 13.62 in	710 x 440 x 380 mm 28 x 17.3 x 15 in
Weight	16.4 kg (36.1 lb)	17.5 kg (38.1 lb)	17.4 kg (38.3 lb)	18.8 kg (41.4 lb)
Accessories	ANL-1 Eye Bolt TRD-2 Speaker Stand TRD-6 Pole Mount FUN-ALT12	ANL-1 Eye Bolt TRD-2 Speaker Stand TRD-6 Pole Mount FUN-ALT15	ANL-1 Eye Bolt TRD-2 Speaker Stand TRD-6 Pole Mount FUN-ALT12	ANL-1 Eye Bolt TRD-2 Speaker Stand TRD-6 Pole Mount FUN-ALT15

Notes: (1) Based on a 2 hour test continuously applying 6 dB crest factor pink noise (IEC shaped).

D.A.S. Audio S.A. continuously strives to enhance its products through investigation and development. All specifications are subject to change without prior warning.

RIGGING

Warnings

This manual contains needed information for flying D.A.S. Audio cabinets, description of the elements and safety precautions. To perform any operations related to flying the system, read the present document first, and act on the warnings and advice given. The goal is to allow the user to become familiar with the mechanical elements required to fly the acoustic system, as well as the safety measures to be taken during set-up and teardown.

Only experienced installers with adequate knowledge of the equipment and local safety regulations should fly speaker boxes. It is the user's responsibility to ensure that the systems to be flown (including flying accessories) comply with state and local regulations.

The working load limits in this manual are the results of tests by independent laboratories. It is the user's responsibility to stay within safe limits. It is the user's responsibility to follow and comply with safety factors, resistance values, periodical supervisions and warnings given in this manual. Product improvement by means of research and development is on going at D.A.S. Specifications are subject to change without notice.

To this date, there is no international standard regarding the flying of acoustic systems. However, it is common practice to apply 5:1 safety factors for enclosures and static elements. For slings and elements exposed to material fatigue due to friction and load variation the following ratios must be met; 5:1 for steel cable slings, 4:1 for steel chain slings and 7:1 polyester slings. Thus, an element with a breaking load limit of 1000 kg may be statically loaded with 200 kg (5:1 safety factor) and dynamically loaded with 142 kg (7:1 safety factor).

When flying a system, the working load must be lower than the resistance of each individual flying point in the enclosure, as well as each box. Hanging hardware should be regularly inspected and suspect units replaced if in doubt. This is important to avoid injury and absolutely no risks should be taken in this respect. It is highly recommended that you implement an inspection and maintenance program on flying elements, including reports to be filled out by the personnel that will carry out the inspections. Local regulations may exist that, in case of accident, may require you to present evidence of inspection reports and corrective actions after defects were found.

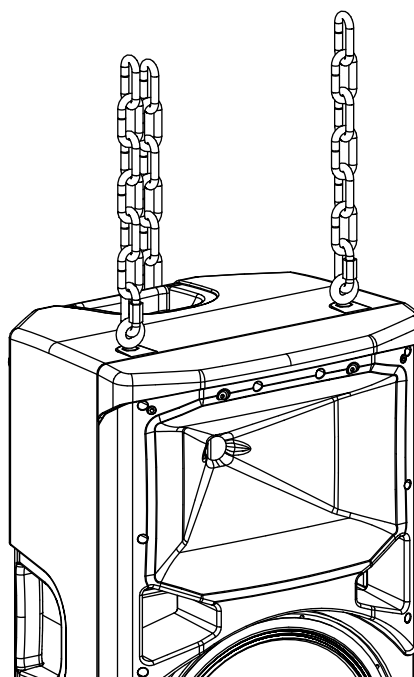
Absolutely no risks should be taken with regards to public safety. When flying enclosures from ceiling support structures, extreme care should be taken to assure the load bearing capabilities of the structures so that the installation is absolutely safe. Do not fly enclosures from unsafe structures. Consult a certified professional if needed. All flying accessories that are not supplied by D.A.S. Audio are the user's responsibility. Use at your own risk.

Introduction

Altea series models feature 2x M8 nuts on the top panel. There are 4x M8 nuts at the rear panel.

Flying with eyebolts is very economical and safe, and it is recommended for installations where the boxes are not fixed permanently.

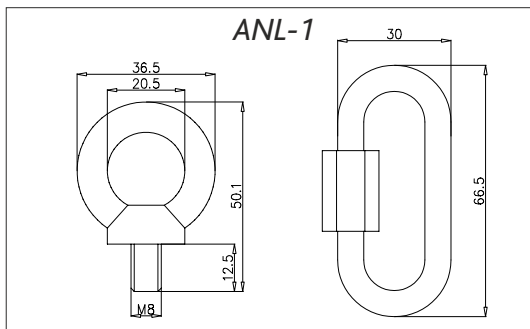
The illustration shows the internal metal hardware of an enclosure with eyebolt flying.



Flying with eyebolts

Each rigging point has 30 kg (66 lb) working load limit. Then choose the slings or chains of required load resistance and length, bearing in mind that the length difference between the front and back slings or chains will determine the vertical orientation. Alternatively, the back bottom eyebolt points can be used to provide vertical orientation.

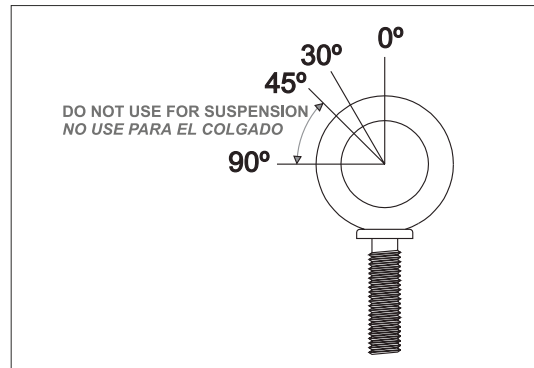
The *ANL-1* set is an optional set of four eyebolts and four carabiners. (Dimensions are in millimeters).



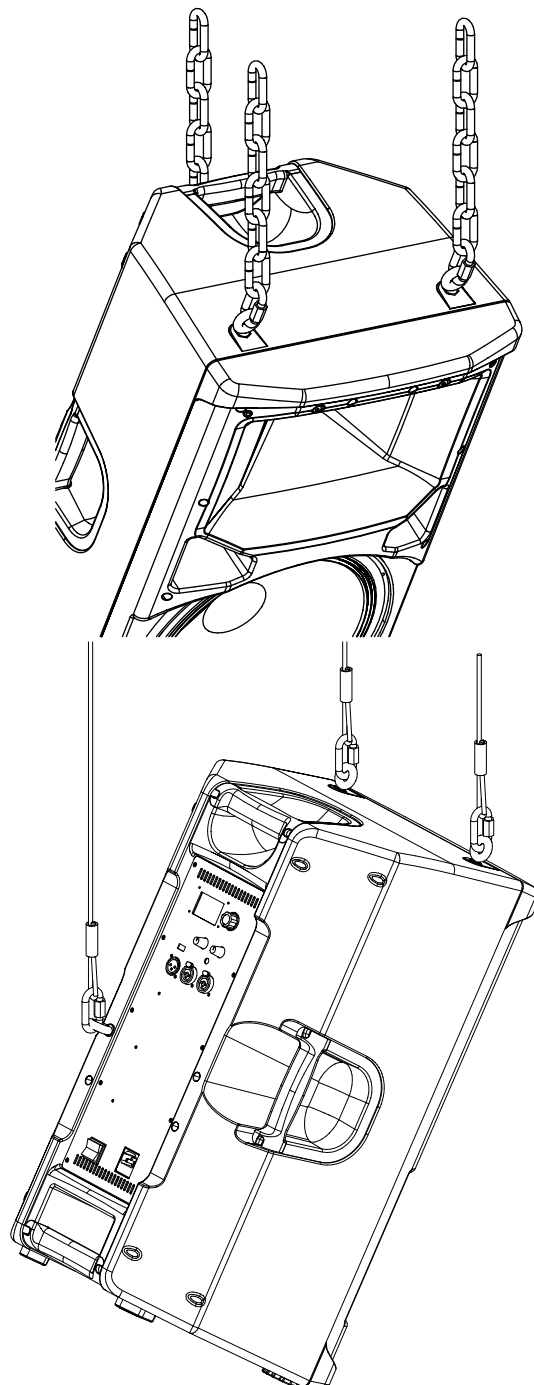
Each *ANL-1* eyebolt has a rated working load of 140 kg. (308 lb). Each *ANL-1* carabiner has a working load of 910 kg (2002 lb). If using other hardware, make sure it is rated to handle the required load.

When using eyebolts it is important to bear in mind that the rated working load is only true for a load applied in the plane of the eye, and is significantly reduced for other angles. The drawing illustrates the concept. The table shows the variation of the working load as a function of the load angle. In the case of the *ANL-1* eyebolt, this means that the 30 kg working load becomes 9 kg at 45 degrees. Do not use eyebolt flying if the load angle is higher than 45 degrees.

	0 Degrees	30 Degrees	45 Degrees	More than 45 Degrees
% Working load	100%	65%	30%	25%



The following illustrations show different views on eyebolt flying for a single box. The length of the back cables or chains determines the vertical angle of the box.



www.dasaudio.com



D.A.S. AUDIO, S.A.
C/. Islas Baleares, 24
46988 Fuente del Jarro
Valencia, SPAIN
Tel. +34 96 134 0860

D.A.S. AUDIO OF AMERICA, INC.
6900 NW 52th Street
Miami, FL. 33166 - U.S.A.
TOLL FREE: 1 888 DAS 4 USA

D.A.S. AUDIO ASIA PTE. LTD.
3 Temasek Avenue, Centennial Tower #34-36
Singapore 039190
Tel. +65 6549 7760