

## ***User Instructions***

### **LED UV GO**

### **Introduction**

**Unpacking:** Thank you for purchasing the LED UV GO by ADJ Products, LLC. Every LED UV GO has been thoroughly tested and has been shipped in perfect operating condition. Carefully check the shipping carton for damage that may have occurred during shipping. If the carton appears to be damaged, carefully inspect your fixture for any damage and be sure all accessories necessary to operate the unit has arrived intact. In the case damage has been found or parts are missing, please contact our toll free customer support number for further instructions. Do not return this unit to your dealer without first contacting customer support.

**Introduction:** The LED UV GO is part of ADJ's continuing pursuit for creating high quality affordable fixtures. The LED UV GO is a UV LED wash.

**Customer Support:** ADJ Products, LLC provides a toll free customer support line, to provide set up help and to answer any question should you encounter problems during your set up or initial operation. You may also visit us on the web at [www.adj.com](http://www.adj.com) for any comments or suggestions. Service Hours are Monday through Friday 8:00 a.m. to 4:30 p.m. Pacific Standard Time.

Voice: (800) 322-6337

Fax: (323) 582-2941

E-mail: [support@adj.com](mailto:support@adj.com)

**Warning!** To prevent or reduce the risk of electrical shock or fire, do not expose this unit to rain or moisture.

**Caution!** There are no user serviceable parts inside this unit. Do not attempt any repairs yourself, doing so will void your manufactures warranty. In the unlikely event your unit may require service please contact ADJ Products, LLC.

***PLEASE recycle the shipping carton when ever possible.***

## LED UV GO

## General Instructions

To optimize the performance of this product, please read these operating instructions carefully to familiarize yourself with the basic operations of this unit. These instructions contain important safety information regarding the use and maintenance of this unit. Please keep this manual with the unit, for future reference.

## LED UV GO

## Features

- Adjustable Dimmer
- Strobing
- Battery Powered (Rechargeable Lithium Battery)
- Battery On/Off Switch On Rear Panel
- ADJ-RC1 Remote Included

## LED UV GO

## Warranty Registration

The LED UV GO carries a 3 year (1095 days) limited warranty. Please fill out the enclosed warranty card to validate your purchase and warranty. You may also register your product online at [www.americandj.com](http://www.americandj.com). All returned service items whether under warranty or not, must be freight pre-paid and accompany a return authorization (R.A.) number. If the unit is under warranty you must provide a copy of your proof of purchase invoice. Please contact ADJ customer support for a R.A. number.

## LED UV GO

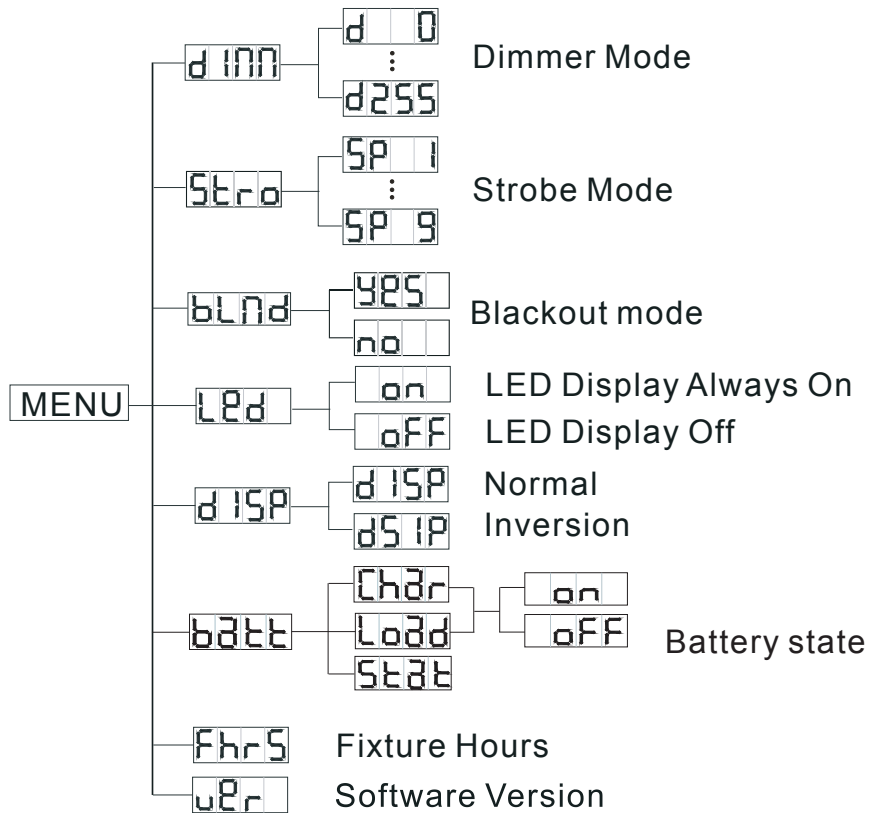
## Installation

The unit should be mounted using a mounting clamp (not provided), affixing it to the mounting bracket that is provided with the unit. Always ensure that the unit is firmly fixed to avoid vibration and slipping while operating. Always ensure that the structure to which you are attaching the unit is secure and is able to support a weight of 10 times the unit's weight. Also, always use a safety cable that can hold 12 times the weight of the unit when installing the fixture. The equipment must be installed by a professional, and it must be installed in a place where it is out of the reach of people's grasp.

## LED UV GO

## Safety Precautions

- To reduce the risk of electrical shock or fire, do not expose this unit rain or moisture
- Do not spill water or other liquids into or on to your unit.
- Do not attempt to operate this unit if the power cord has been frayed or broken. Do not attempt to remove or break off the ground prong from the electrical cord. This prong is used to reduce the risk of electrical shock and fire in case of an internal short.
- Disconnect from main power before making any type of connection.
- Do not remove the cover under any conditions. There are no user serviceable parts inside.
- Never operate this unit when it's cover is removed.
- Never plug this unit in to a dimmer pack
- Always be sure to mount this unit in an area that will allow proper ventilation. Allow about 6" (15cm) between this device and a wall.
- Do not attempt to operate this unit, if it becomes damaged.
- This unit is intended for indoor use only, use of this product out doors voids all warranties.
- During long periods of non-use, disconnect the unit's main power.
- Always mount this unit in safe and stable matter.
- Power-supply cords should be routed so that they are not likely to be walked on or pinched by items placed upon or against them, paying particular attention to the point they exit from the unit.
- Cleaning -The fixture should be cleaned only as recommended by the manufacturer. See page 12 for cleaning details.
- Heat -The appliance should be situated away from heat sources such as radiators, heat registers, stoves, or other appliances (including amplifiers) that produce heat.
- The fixture should be serviced by qualified service personnel when:
  - A. The power-supply cord or the plug has been damaged.
  - B. Objects have fallen, or liquid has been spilled into the appliance.
  - C. The appliance has been exposed to rain or water.
  - D. The appliance does not appear to operate normally or exhibits a marked change in performance.



**On-Board System Menu.** The LED UV GO comes with an easy to navigate system menu. This next section will detail the functions of each command in the system menu. **Please read the next section thoroughly!**

To access the main menu press the MENU button. Tap the UP or DOWN buttons until you reach function you wish to change. When you reach the function you wish to change press the ENTER button. When a function is selected use the UP or DOWN buttons to change the function settings. Once your changes are made press the ENTER button, and then press and hold the MENU button for at least three seconds to confirm and lock the change into the system memory. If the MENU button is not pressed and held within eight seconds the fixture will automatically confirm and lock the change into the system memory. To exit without making any changes press the MENU button.

### DIMM - Dimmer Mode

1. Press the MENU button until “DINN” is displayed, press ENTER.
2. “dXXX” will now be displayed, “XXX” representing a number between 0-255. Use the UP or DOWN buttons to adjust the output intensity.
3. Once you have found your desired intensity, press ENTER to confirm.

### STRO - Strobe mode

1. Press the MENU button until “STRO” is displayed, press ENTER.
2. “SP X” will now be displayed, “X” representing a number between 1-9. These are the strobe speeds, 1 being the slowest, and 9 being the fastest. Use the UP and DOWN buttons to adjust the strobe speed.
3. Press ENTER to confirm.

**BLND - This will control blackout**

1. Press the MENU button until “BLND” is displayed, press ENTER.
2. Either “YES” or “NO” will now be displayed. Press the UP or DOWN buttons to select one or the other.
3. Press ENTER, and then press and hold the MENU button for at least three seconds to confirm.

**LED - With this function the LED display will turn off after 2 minutes.**

1. Press the MENU button until “LED” is displayed, press ENTER.
2. Either “ON” or “OFF” will now be displayed. Press the UP or DOWN buttons to select “ON” to keep the LED display on at all times, or “OFF” to allow the LED display to turn off after 2 minutes. Press any button to turn on the LED display again.
3. Press ENTER, and then press and hold the MENU button for at least three seconds to confirm.

**DISP - This will “flip” the LED display**

1. Press the MENU button until “DISP” is displayed, press ENTER.
2. When “DISP” is displayed the LED display will remain normal, when “DSIP” is displayed, the LED display will be “flipped”. Use the ENTER button to find your desired display set up, then press MENU to confirm and exit.

**BATT - This function is used for checking the battery status and battery charging.**

1. Press the MENU button until “BATT” is displayed, press ENTER.

2. Either “CHAR”, “LOAD”, or “STAT” will be displayed. Use the UP or DOWN buttons to scroll through the functions, and press ENTER to select your desired function.

- CHAR (Charging) - When this is selected you are able to charge or stop charging the battery. When a power cable is connected and “ON” is selected, the battery is now being charged. To stop charging, select “OFF”.
- LOAD (LED On or OFF) - This will let you blackout the LED while charging. Select “OFF” to blackout the LED or “ON” to stop the LED blackout.
- STAT (Charge Status) - This will let you check the battery status.

3. Press ENTER to confirm your setting and exit.

**FHRS - With this function you can display the running time of the unit.**

1. Press the MENU button until “FHRS” is displayed, press ENTER.
2. The running time of the fixture will now be displayed. Press MENU to exit.

**VER - This will display the software version**

1. Press the MENU button until “VER” is displayed. Press the ENTER button and the software version will be displayed.
2. Press the MENU button to leave this function.

The **ADJ-RC1** infrared remote has many different functions and gives you complete control of your Mega Tri 60. To control the your desired fixture you must aim the controller at the front of the fixture and be no more the 30 feet away. To use the ADJ-RC1 you must first activate the fixtures infrared receiver, to activate the receiver please see the instructions on page 10.

**STAND BY** - Pressing this button will blackout the fixture.

**FULL ON** - Hold this button down to fully light up the unit. When you let the button go, the unit will return to its previous state.

**COLOR** - Press this button to enter Dimmer mode. Adjust the output intensity using either the number buttons, or using the “DIMMER +” and “DIMMER -” buttons.

**STROBE** - This button will activate the strobe effect. You can control the flash rate by pressing the “DIMMER +” and “DIMMER -” buttons. If you press and hold this button the unit will begin to strobe.

**SPEED** - Press this button and use the “+” & “-” buttons to adjust the speed of the Auto run.

**SOUND ON & OFF** - These buttons activate and deactivate the sound active mode.

**SHOW** - This designates the fixture as a slave fixture in a master/slave configuration.

**“DIMMER +” and “DIMMER -”** - Use these buttons to adjust the output intensity and to adjust the strobe speed.

### **Battery Status:**

This function is used to check the life status of the battery. Plug the fixture in and press the MODE button until “BATT” is displayed. Use the UP or DOWN buttons to scroll to “STAT” and press ENTER. The number that is displayed is the remaining battery life. **Please do not let the battery fully die, this severely shortens the life of the battery.**

**Example:** If “50” is displayed, the battery is at half life. If “25” is displayed, the battery is at 25% life.

**NOTE:** When the battery is charging or if the battery life is below 30% the digital display will flash.

**Battery Recharge:** To recharge the battery, plug the supplied AC cord into the AC input on the side of the unit and plug the other end into a matching power supply.

Press the MODE button until “BATT” is displayed, and press ENTER.

Use the UP or DOWN buttons to scroll to the menu “CHAR” then press ENTER.

Use the UP or DOWN buttons to scroll to “ON”, and press ENTER. The after you select “ON” the battery is now being charged. To stop charging the battery, select “OFF”.

If the battery is being charged, and the unit is not being used, press the MODE button until “BATT” is displayed, and press ENTER. Use the UP or DOWN buttons to scroll to “LOAD” and press ENTER. Select “ON” to keep the LED on, or “OFF” to blackout the unit.

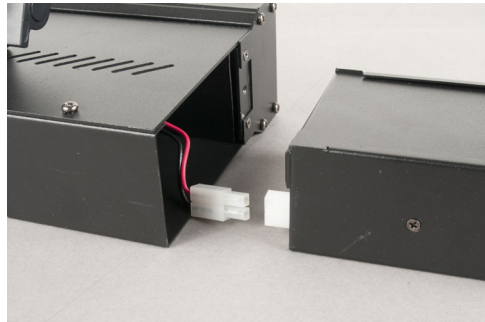
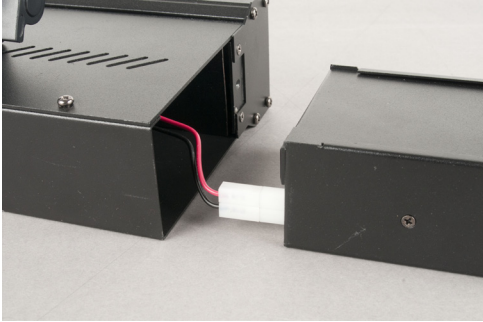
It takes about 6 hours to reach full charge.

**Note: When unplugging the unit from charging and then applying power via battery, there will be a minimal charge drop.**

## LED UV GO

## Battery Replacement

Battery replacement is pretty simple. Unscrew the thumbscrew located on the left side of the unit (front facing you). Carefully slide the battery out and disconnect the wire as shown below. Connect the new battery and slide the battery back in. Screw the thumbscrew back in to secure the battery.



## LED UV GO

## Fuse Replacement

Disconnect the unit from its power source. Remove the power cord from the unit. Once the cord has been removed, you will find that the fuse holder is located inside the power socket. Insert a flat-head screw driver into the power socket and gently pry out the fuse holder. Remove the bad fuse and replace with a new one. The fuse holder also has a holder for a spare fuse.

## LED UV GO

## Cleaning

Due to fog residue, smoke, and dust cleaning the internal and external optical lenses must be carried out periodically to optimize light output.

1. Use a soft cloth to wipe down the outside casing.

Cleaning frequency depends on the environment in which the fixture operates (i.e. smoke, fog residue, dust, dew).

## LED UV GO

## Trouble Shooting

Listed below are a few common problems the user may encounter, with solutions.

### ***Unit not responding to DMX:***

1. Check that the DMX cables are connected properly and are wired correctly (pin 3 is “hot”; on some other DMX devices pin 2 may be ‘hot’). Also, check that all cables are connected to the right connectors; it does matter which way the inputs and outputs are connected.

### ***Unit does not respond to sound:***

1. Quiet or high pitched sounds will not activate the unit.

*If problems are not resolved; Contact ADJ Products, LLC for service.  
1-800-322-6337*

## MANUFACTURER'S LIMITED WARRANTY

- A. ADJ Products, LLC hereby warrants, to the original purchaser, ADJ Products, LLC products to be free of manufacturing defects in material and workmanship for a prescribed period from the date of purchase (see specific warranty period on reverse). This warranty shall be valid only if the product is purchased within the United States of America, including possessions and territories. It is the owner's responsibility to establish the date and place of purchase by acceptable evidence, at the time service is sought.
- B. **For warranty service you must obtain a Return Authorization number (RA#) before sending back the product—please contact ADJ Products, LLC Service Department at 800-322-6337.** Send the product only to the ADJ Products, LLC factory. All shipping charges must be pre-paid. If the requested repairs or service (including parts replacement) are within the terms of this warranty, ADJ Products, LLC will pay return shipping charges only to a designated point within the United States. If the entire instrument is sent, it must be shipped in its original package. No accessories should be shipped with the product. If any accessories are shipped with the product, ADJ Products, LLC shall have no liability whatsoever for loss of or damage to any such accessories, nor for the safe return thereof.
- C. This warranty is void if the serial number has been altered or removed; if the product is modified in any manner which ADJ Products, LLC concludes, after inspection, affects the reliability of the product; if the product has been repaired or serviced by anyone other than the ADJ Products, LLC factory unless prior written authorization was issued to purchaser by ADJ Products, LLC; if the product is damaged because not properly maintained as set forth in the instruction manual.
- D. This is not a service contract, and this warranty does not include maintenance, cleaning or periodic check up. During the period specified above, ADJ Products, LLC will replace defective parts at its expense with new or refurbished parts, and will absorb all expenses for warranty service and repair labor by reason of defects in material or workmanship. The sole responsibility of ADJ Products, LLC under this warranty shall be limited to the repair of the product, or replacement thereof, including parts, at the sole discretion of ADJ Products, LLC. All products covered by this warranty were manufactured after August 15, 2012, and bear indentifying marks to that effect.
- E. ADJ Products, LLC reserves the right to make changes in design and/or improvements upon its products without any obligation to include these changes in any products theretofore manufactured.

No warranty, whether expressed or implied, is given or made with respect to any accessory supplied with products described above. Except to the extent prohibited by applicable law, all implied warranties made by ADJ Products, LLC in connection with this product, including warranties of merchantability or fitness, are limited in duration to the warranty period set forth above. And no warranties, whether expressed or implied, including warranties of merchantability or fitness, shall apply to this product after said period has expired. The consumer's and/or Dealer's sole remedy shall be such repair or replacement as is expressly provided above; and under no circumstances shall ADJ Products, LLC be liable for any loss or damage, direct or consequential, arising out of the use of, or inability to use, this product.

This warranty is the only written warranty applicable to ADJ Products, LLC Products and supersedes all prior warranties and written descriptions of warranty terms and conditions heretofore published. This warranty was revised after December 1, 2012.

## MANUFACTURER'S LIMITED WARRANTY PERIODS:

- **Lighting Products = 1-year (365 days) Limited Warranty** (Such as: Special Effect Lighting, Intelligent Lighting, UV lighting, Strobes, Fog Machines, Bubble Machines, Mirror Balls, Par Cans, Trussing, Lighting Stands etc. excluding LED, Laser Products and lamps)
- **Laser Products = 90-Day Limited Warranty**
- **L.E.D. Products = 3-year (1095 days) Limited Warranty** (excluding motors, PCB boards, and power supplies, which have a 1-year (365 day Limited Warranty) and batteries which have a 180 day limited warranty). Only the L.E.D.s carry a 3-year warranty

**Model: LED UV GO**

Voltage:	100V~240V 50/60Hz
LEDs:	10 x 1W UV LEDs
Battery Life:	8 Hours Full On (Full Charge)
Power Consumption:	53W
Beam Angle:	10 Degrees (Vertical) 40 Degrees (Horizontal)
Fuse:	7Amp
Weight:	6lbs./ 2.5Kgs.
Dimensions	12.5" (L) x 7" (W) x 5.5" (H) 317 x 172 x 136mm
Colors:	UV
Working Position:	Any safe working position
Warranty:	3 Years (1095 days)

**Auto Sensing Voltage:** *This fixture contains a automatic voltage switch, which will auto sense the voltage when it is plugged into the power source.*

**Please Note:** Specifications and improvements in the design of this unit and this manual are subject to change without any prior written notice.

ADJ Products, LLC  
6122 S. Eastern Ave. Los Angeles, CA 90040 USA  
Tel: 323-582-2650 / Fax: 323-725-6100  
Web: [www.adj.com](http://www.adj.com) / E-mail: [info@adj.com](mailto:info@adj.com)

A.D.J. Supply Europe B.V.  
Junostraat 2  
6468 EW Kerkrade  
Netherlands

Follow Us On:



[facebook.com/americanadj](https://facebook.com/americanadj)  
[twitter.com/americanadj](https://twitter.com/americanadj)  
[youtube.com/adjlighting](https://youtube.com/adjlighting)

[service@adj.eu](mailto:service@adj.eu) / [www.adj.com](http://www.adj.com)

Tel: +31 45 546 85 00 / Fax: +31 45 546 85 99