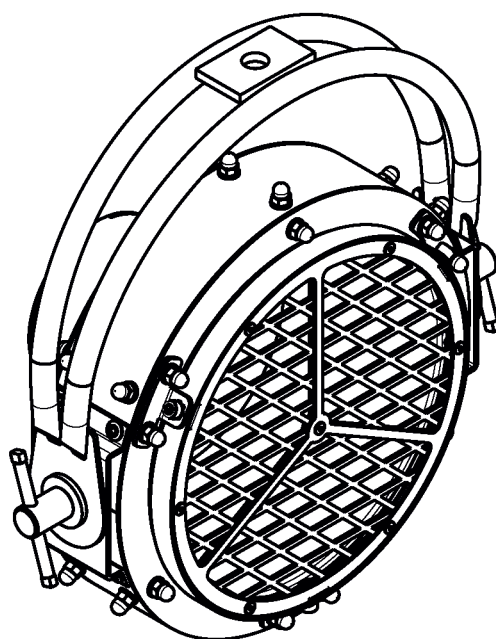

ROBE

onePATT



USER MANUAL

Version 1.3

ROBE® Lighting s.r.o. • Czech republic • www.robe.cz

Table of contents

1. Safety instructions	3
2. Description of the fixture	4
3. Installation	5
3.1 Mounting the oneIPATT	5
3.2 Connecting the pixelPATT with the PATT Driver	5
4. Technical specifications	7

**FOR YOUR OWN SAFETY, PLEASE READ THIS USER MANUAL CAREFULLY
BEFORE INSTALLING THE PRODUCT .**

1. Safety instructions

CAUTION!
The onePATT was designed for indoor use only.
The product is for professional use only, it is not for household use.

This product has left our premises in absolutely perfect condition. In order to maintain this condition and to ensure a safe operation, it is absolutely necessary for the user to follow the safety instructions and warning notes written in this manual.

The manufacturer will not accept liability for any resulting damages caused by the non-observance of this manual or any unauthorized modification to the product.

If the device has been exposed to drastic temperature fluctuation (e.g. after transportation), do not switch it on immediately. The arising condensation water might damage your device. Leave the device switched off until it has reached room temperature.

The onePATT should be operated with the PATT Driver only.

**The onePATT becomes hot during its operation, allow it to cool prior
to manipulation.**
**The onePATT unit never must be covered with cloth or other materials during
operation.**

Refer servicing to qualified service personnel.

Warning! Risk Group 2 LED product according to EN 62471
**LED light emission. Risk of eye injury. Do not look into the beam at short distance of
the of the product. Do not view the light output with optical instruments or any
device that may concentrate the beam.**
The light source contains blue LEDs.

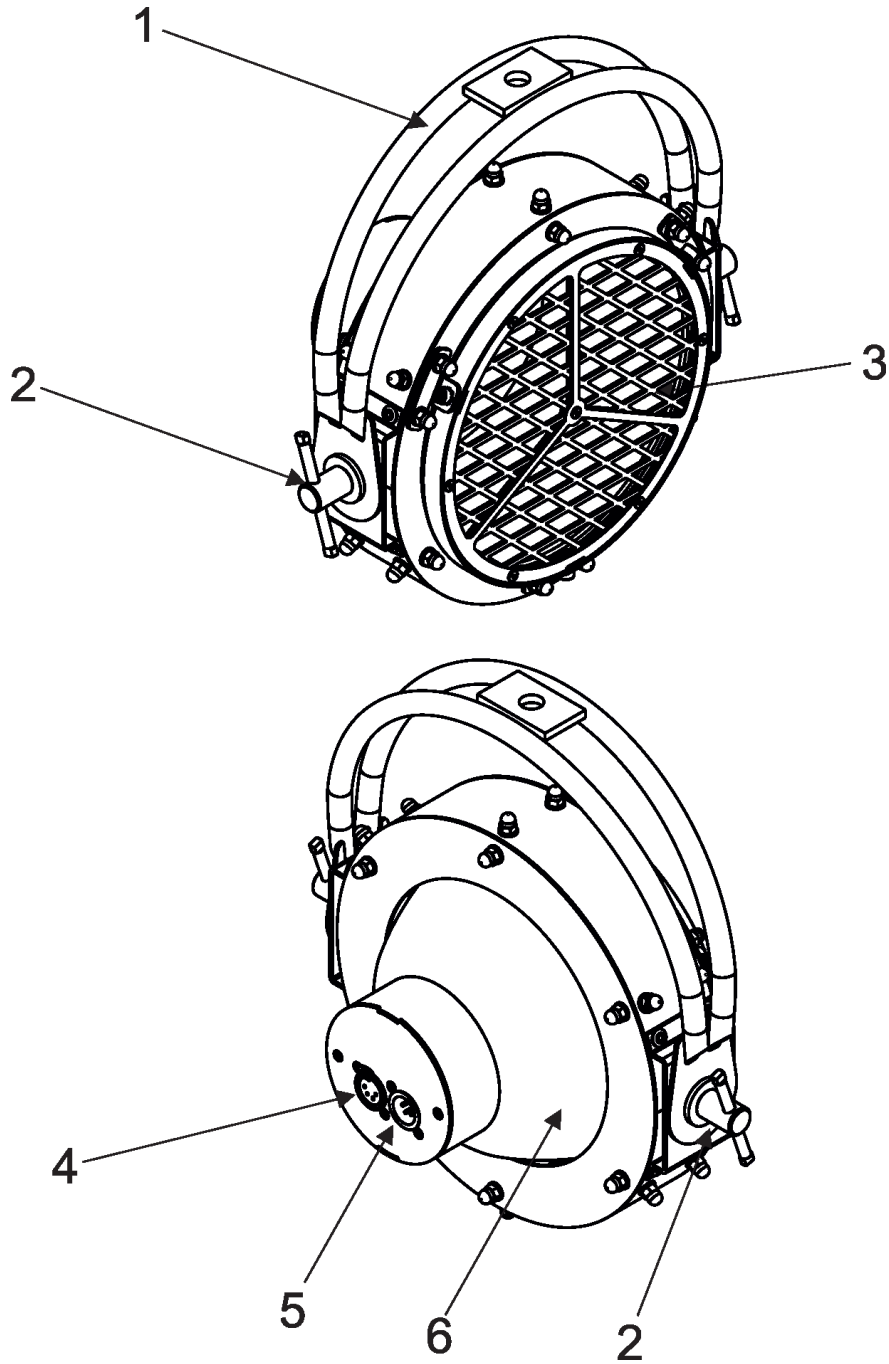
When choosing the installation spot, please make sure that the onePATT are not exposed to extreme heat, moisture or dust.

Operate the onePATT only after having familiarized with its functions. Do not permit operation by persons not qualified for operating the onePATT. Most damages are the result of unprofessional operation!

Please use the original packaging if the onePATT is to be transported.

Please consider that unauthorized modifications on the fixture are forbidden due to safety reasons!

2. Description of the fixture



- 1 - Yoke with mounting hole
- 2 - Tilt lock
- 3 - Front net cover
- 4 - Control Output (4-pin XLR)
- 5 - Control Input (4-pin XLR)
- 6 - Parabolic aluminium reflector Control

3. Installation

The onePatt must be installed by a qualified electrician in accordance with all national and local electrical and construction codes and regulations.

3.1 Mounting the onePATT

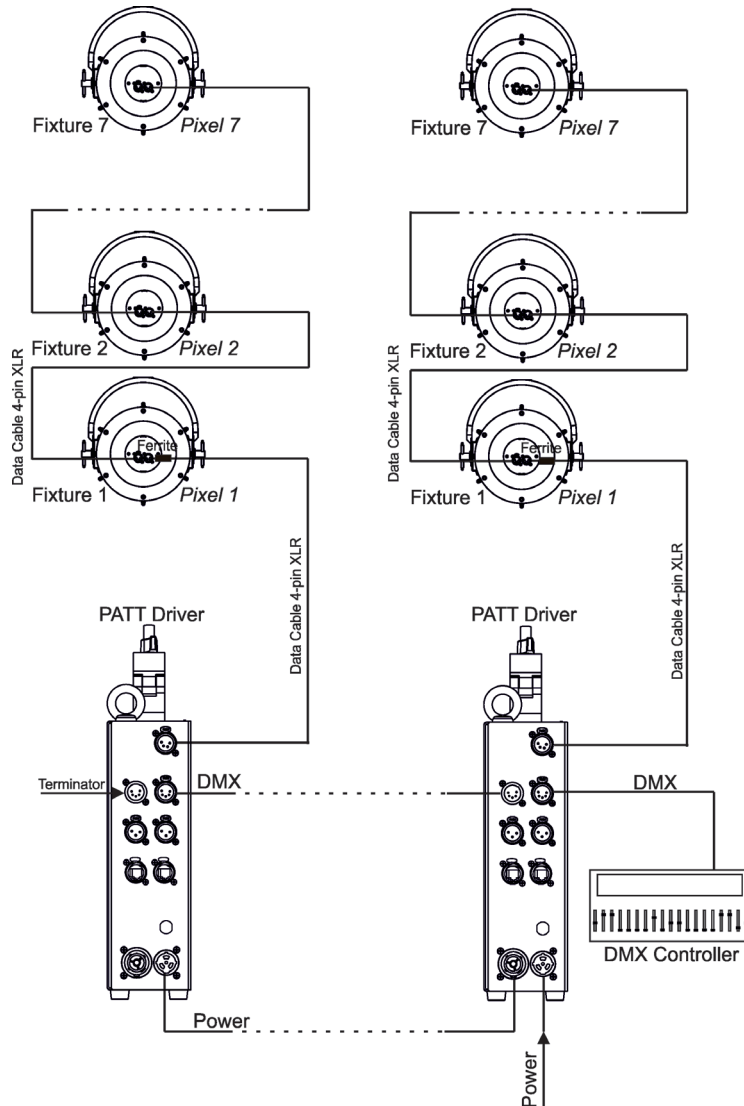
The fixture can be rigged to the truss or fastened to the floor stand via a mounting yoke. The hole of diameter of 13 mm in the yoke serves for fastening of a clamp (or a spigot) to the yoke.

Note: the spigot has to be inserted into the floor stand and always secured.

For overhead installation the onePATT has to be always secured to the truss by means of a safety wire (that can hold at least 10 times the weight of the fixture) which is fastened to the truss and around mounting yoke of the onePATT.

3.2 Connecting the onePATTs with the PATT Driver

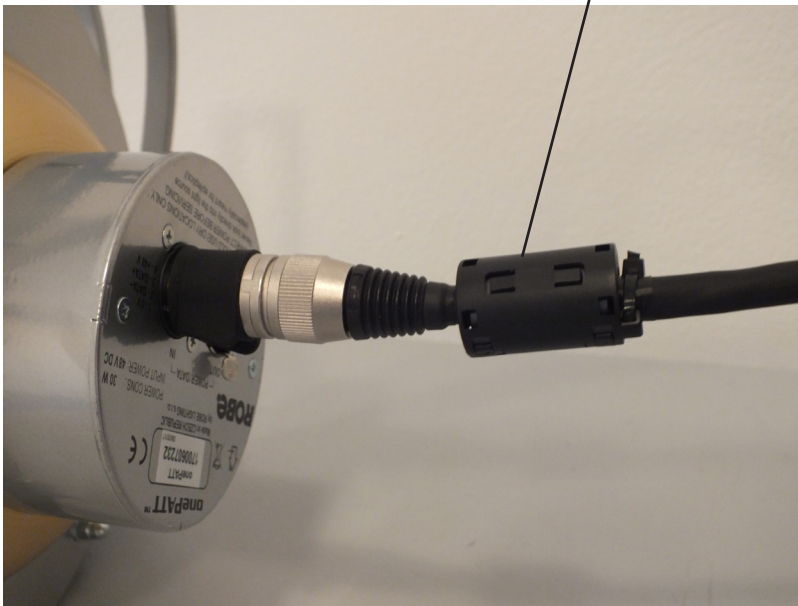
1. Disconnect the PATT Driver from mains.
2. Connect the onePATT to the PATT Driver by means of the 4-pin data cable.
3. Connect next 6 onePATTs to the onePATTs chain. The first fixture connected to the PATT Driver is a pixel 1, the second fixture connected to the fixture 2 behaves as a pixel 2.....
Up to 7 fixtures can be connected to one PATT Driver.
4. Connect the PATT Driver to mains and make desired setting of it.



ALWAYS DISCONNECT THE PATT DRIVER FROM MAINS BEFORE CONNECTING/DISCONNECTING THE onePATT.

If you do not use the original Robe Data Cable 4-pin XLR for connection between onePATT and PATT Driver, the ferrite RRC 17-11-28-M-K5B (Robe P/N 13051799) should be installed on the 4-pin XLR cable closely to the onePATT (the first onePATT connected to the PATT Driver) as shown on the picture bellow.
If you use the original Robe 4-pin XLR cable, this ferrite is part of the cable and you do not need to install another ferrite on the cable.

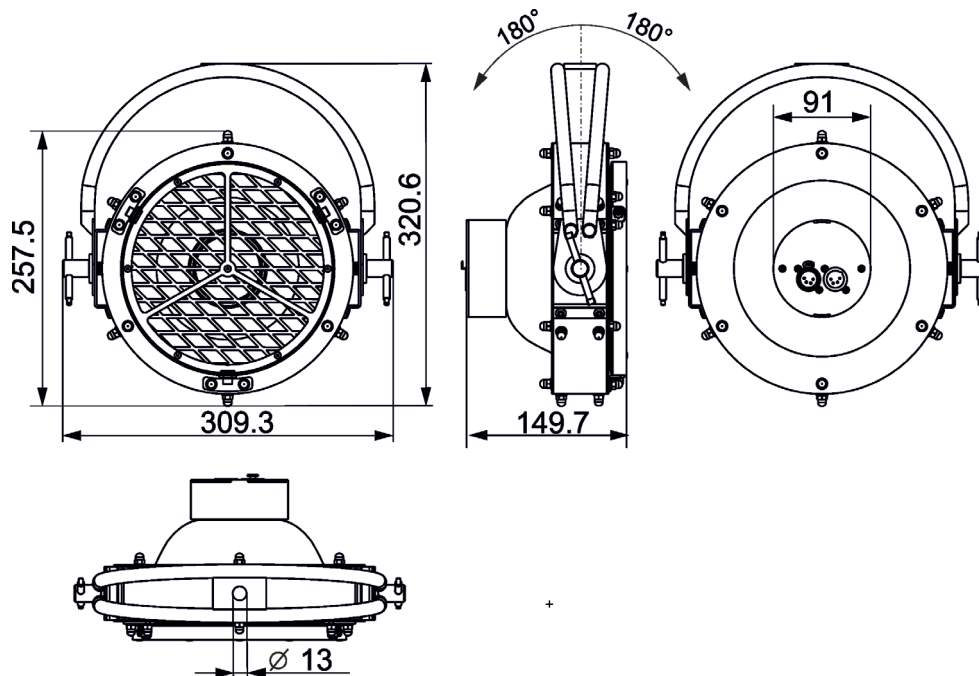
Ferrite RRC 17-11-28-M-K5B



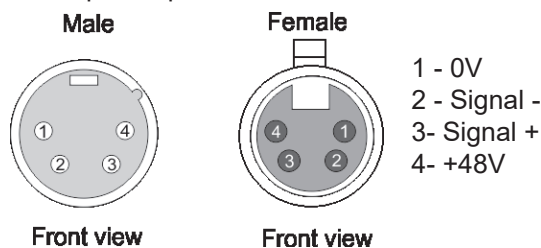
4. Technical specifications

Input voltage:	48V
Max. power consumption:	30W
Compatible control driver:	PATT Driver (max. 7 onePATTs can be connected to the driver)
Light source:	RGBW LED multichip
LED life expectancy:	min. 20 000 hours
Typical lumen maintenance:	70% @ 20 000 hours
Optical System:	200 mm parabolic aluminium reflector with high reflectivity coating
Control input/output:	Locking 4-pin XLR (male/female)
Mounting Points:	Mounting horizontally or vertically via mounting yoke (360° tilt range)
Rigging:	M12 mounting for clamp or spigot.
Operation position:	any
Ingress protection:	IP20 (for dry location only)
Weight:	162 kg
Max. surface temperature:	70°C (at 45°C ambient)
Maximum ambient temperature:	45 °C
Total heat dissipation (calculated):	102 BTU
Min. distance from flammable surfaces:	0.2 m
Min. distance of illuminated objects:	0.2 m

Dimensions (mm)



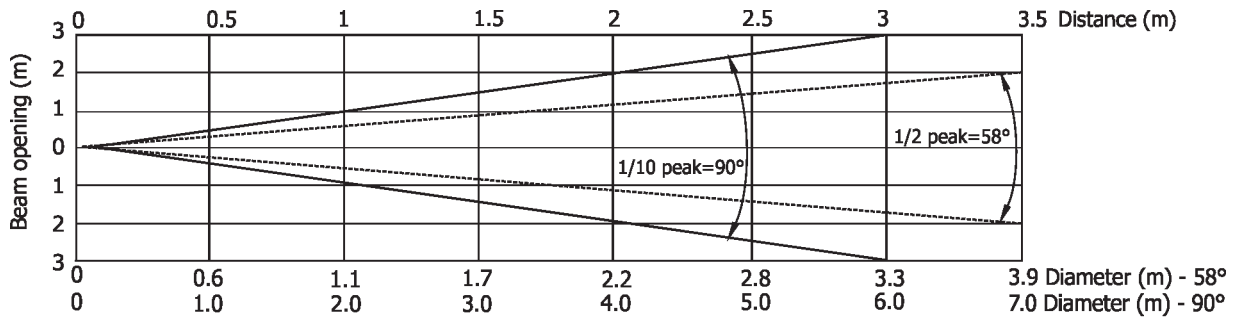
Wiring of control input/output:



Optional accessories

- (P/N 13052797) Data cable 4 pin XLR 10m, ferrite, EU
- (P/N 13052798) Data cable 4 pin XLR 5m, ferrite, EU
- (P/N 13052799) Data cable 4 pin XLR 10m, ferrite, US
- (P/N13052800) Data cable 4 pin XLR 5m, ferrite, US
- (P/N 17030386) Doughty Trigger Clamp
- (P/N 99011963) Safety wire 35 kg
- (P/N 13051799) Ferite RRC 17-11-28-M-K5B
- (P/N 10055002) PATT Driver

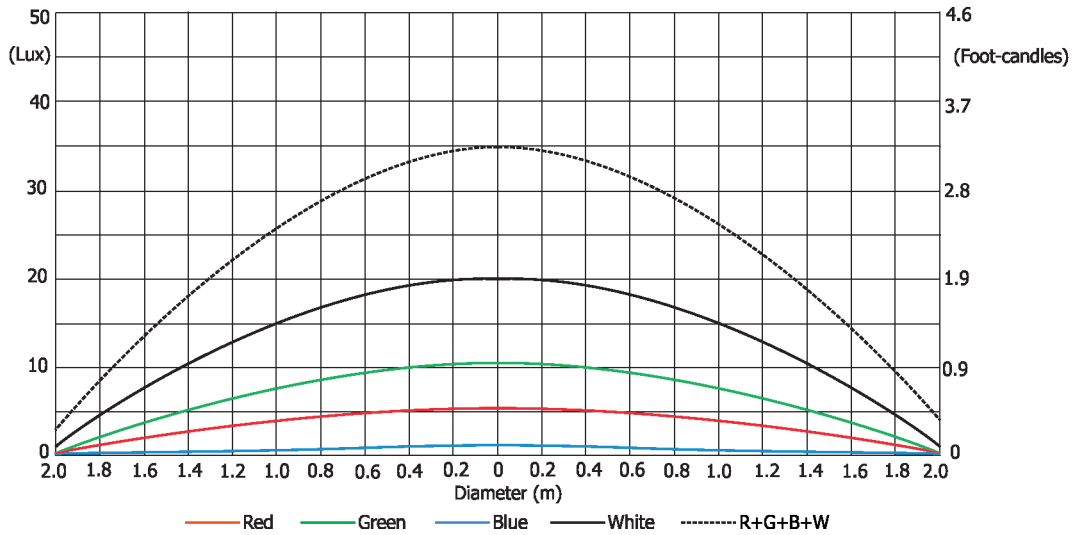
Beam distribution



Distance (m)	0.5	1	1.5	2	2.5	3	3.5	
Red	96/8.9	24/2.2	11/1.0	6/0.6	4/0.4	3/0.2	2/0.2	Intensity (center) Lux/Footcandles
Green	176/16.4	44/4.1	20/1.8	11/1.0	7/0.7	5/0.5	4/0.3	
Blue	32/3	8/0.7	4/0.3	2/0.2	1.3/0.1	0.9/0.1	0.7/0.1	
White	320/30	80/7.4	36/3.3	20/1.9	13/1.2	9/0.8	7/0.6	
R+G+B+W	576/54	144/13.4	64/5.9	36/3.3	23/2.1	16/1.5	12/1.1	

Illuminance distribution

Distance=2 m



Copyright © 2017-2018 Robe Lighting - All rights reserved

Specifications are subject to change without notice.

January 19, 2018

Made in ROBE Lighting s.r.o., Palackého 416, 757 01 Valašské Meziříčí, Czech Republic