



Public Address System

Wall Mount Speaker System WL8064



WL8064W White



WL8064B Black

OWNER'S MANUAL

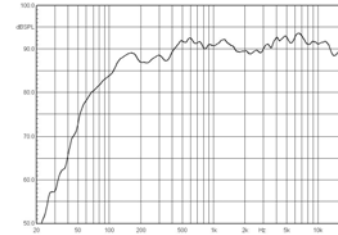
Guangzhou DSPPA Audio Co., Ltd. is the editor in chief of the Technical Code for PA System Engineering; also it is a national high-tech enterprise. DSPPA PA speaker system is widely used in 2008 Beijing Olympics, Expo 2010 Shanghai China, airport, railway station, etc.

FEATURES:

- Input 70V/100V/4-16 Ω , sensitivity $91 \pm 2\text{dB}$, rated power 40W. Max. SPL $107 \pm 2\text{dB}$, Effective Freq. Range 65Hz - 20kHz;
- Weight 4.6 kg, equipped with hanging holes for mounting convenient;
- Made of high quality engineering plastic, long-term durability, never out of shape and fade;
- Long life, sounds clear and sonorousness.

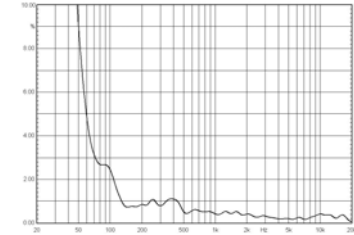
FREQ. RESPONSE

(dB SPL, 1W, 1m)

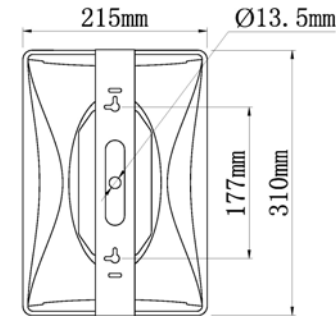


DISTORTION

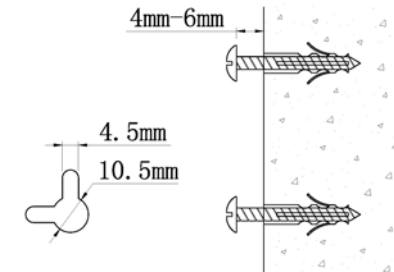
(THD < 1.5% 1W, 1m, 200Hz-12kHz)



HANGING HOLE



NAIL FOR MOUNTING



INSTALLATION

1. Fit two $\text{Ø}4\text{mm}$ nails on wall where it is needed to install a speaker system.
2. Connect audio broadcasting wire to the speaker according to the table below.

Impedance	Input Voltage	
	70V	100V
2 K Ω	2.5W	5W
1 K Ω	5 W	10W
500 Ω	10W	20W
250 Ω	20W	40W
125 Ω	40W	---

3. Position the speaker, then adjust the direction of it and examine whether it is steady.

Guangzhou DSPPA Audio Co., Ltd.